

CABLE TRAYS & ACCESSORIES



Cable Tray

Metalone manufactures a comprehensive range of light to medium duty cable support systems that are suitable for a variety of applications.

There is no need to compromise on choice, simply select the product that best suits the specific application. Whether it be short or long spans, light or heavy weight cables, side loading or conventional trapeze, we have a cable support system to suit.

Perforated Cable Tray (CT): Manufactured from sheet steel, continuously perforated to provide maximum airflow to cables. All sizes are manufactured with 25mm return sides and are taper folded to enable slide together easy installation.

Metalone Trays: The most popular choice across industry for general purpose installations.

Light Duty Tray: To be used as premium performance in commercial and light duty industrial applications.

Range

Thickness : 1.20mm
 Side Height : 25 and 50mm
 Length : 2440mm / 3000mm
 Width : 50mm - 1000mm

Medium Duty Tray: The ultimate in tray systems, offering comparable performance to a medium duty cable tray system.

Range

Thickness : 1.50mm
 Side Height : 50, 75 & 100mm
 Length : 2440mm / 3000mm
 Width : 50mm - 1000mm

Heavy Duty Tray: To be used under low voltage and medium voltage cables installation.

Range

Thickness : 2.00mm
 Side Height : 50, 75 & 100mm
 Length : 2440mm / 3000mm
 Width : 50mm - 1000mm

The above range of tray products is manufactured in compliance with BS EN 61537, 2001/BS 5750/BS EN 10130/BS EN 10131/BS EN 10051 and NEMA standards. And, as per cabling standards CENELEC EN 50173-1; EIA/ITA 568A; ISO/IEC 11801; 2002.

Finishes are available on above products

- **Pre Galvanized Steel**

As per: EN 10327 / DIN 17162 / BS 2989 / ASTM A 527M / ASTM A 653M/ JIS G 3302. EN 10326 / EN 10142 / ASTM A 526, 527, 528 / ASTM A 146

- **Hot Dip Galvanization after Fabrication**

As per: ASTM A 123 / ASTM A 153 / ISO 1461. BS 729 / DIN 50976

- **Stainless Steel - Austenitic Stainless Steels ASI 304 & 316,**

As per : ASTM A 240 / EN 10088-2/DIN 17400 / BS 1449:2 / ASTM A480 / ASTM A666/ ISO 3506 / EN 10028-7 / JIS G 4304

- **Aluminium**

Extruded Aluminium Profiles as per alloy 6063 and 5052.

Aluminium sheets as per alloy 1050.

- **Powder Coating**

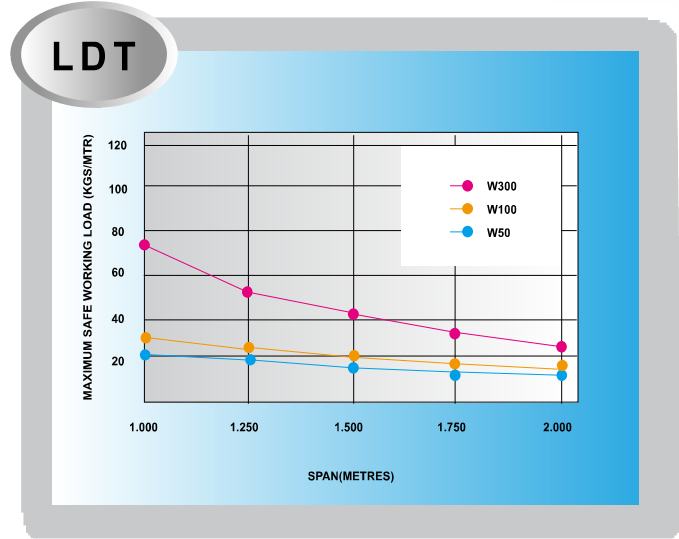
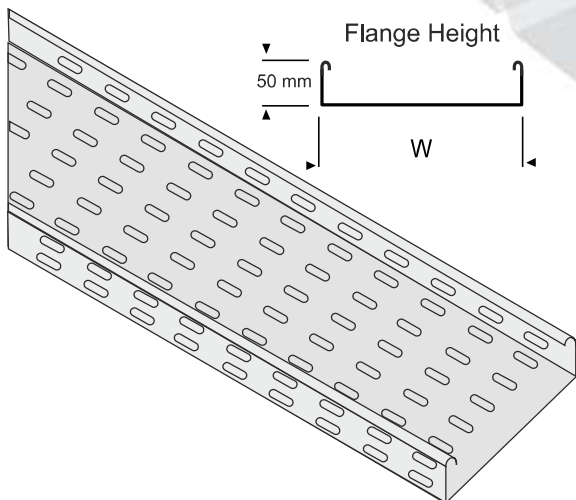
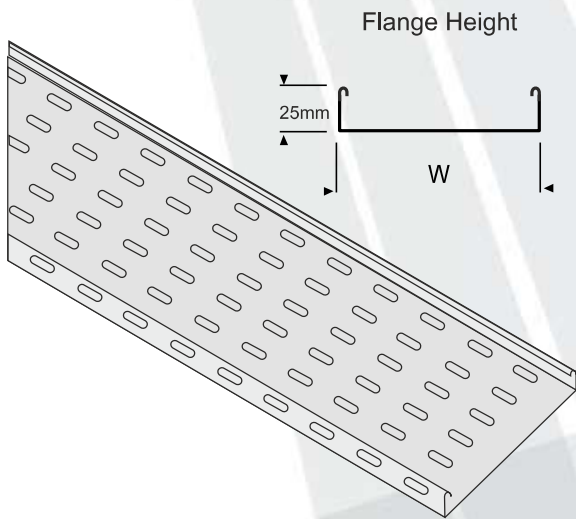
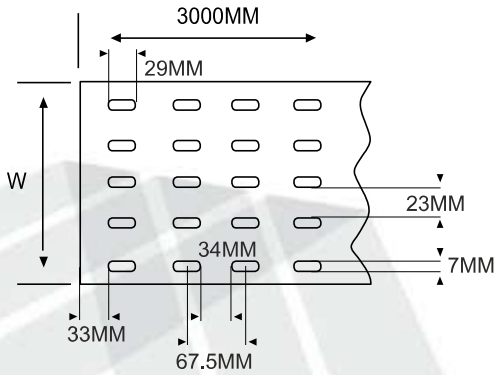
Epoxy / Polyester / Epoxy & Polyester
 BS 3900/ISO 2409/ ISO 1519/ISO 1520

RANGE OF SIDE HEIGHTS

• Straight	STR	→	
• Return Flange Inside	RFI	→	
• Return Flange Outside	RFO	→	
• C-Type Inside	CTI	→	
• C-Type Outside	CTO	→	

CABLE TRAY SYSTEMS

Light Duty



Part No.	Size	Thickness	Length
MOCTRFLD05025	50mm x 25mm	1.2 mm	2440/3000mm
MOCTRFLD10025	100mm x 25mm	1.2 mm	2440/3000mm
MOCTRFLD15025	150mm x 25mm	1.2 mm	2440/3000mm
MOCTRFLD20025	200mm x 25mm	1.2 mm	2440/3000mm
MOCTRFLD30025	300mm x 25mm	1.2 mm	2440/3000mm
MOCTRFLD45025	450mm x 25mm	1.2 mm	2440/3000mm

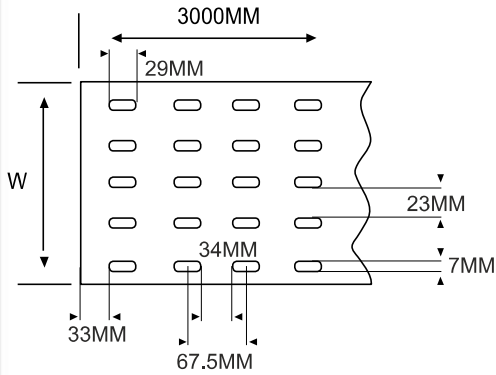
Part No.	Size	Thickness	Length
MOCTRFLD05050	50mm x 50mm	1.2 mm	2440/3000mm
MOCTRFLD10050	100mm x 50mm	1.2 mm	2440/3000mm
MOCTRFLD15050	150mm x 50mm	1.2 mm	2440/3000mm
MOCTRFLD20050	200mm x 50mm	1.2 mm	2440/3000mm
MOCTRFLD30050	300mm x 50mm	1.2 mm	2440/3000mm
MOCTRFLD45050	450mm x 50mm	1.2 mm	2440/3000mm

Other Thickness / Length are available upon request

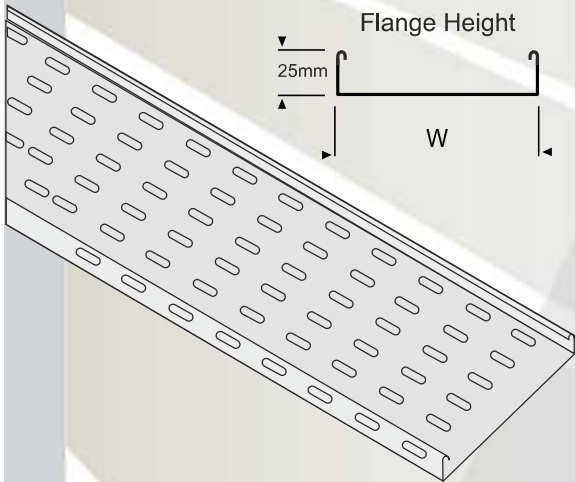
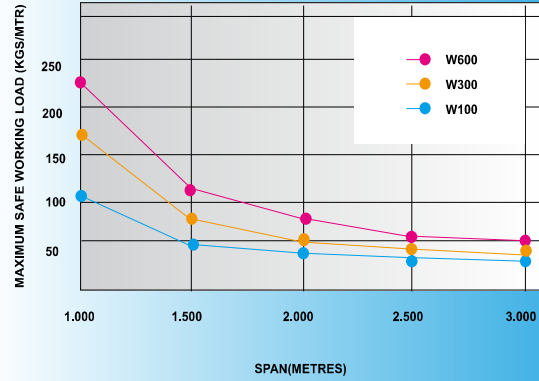
CABLE TRAY SYSTEMS

Medium Duty

Cable tray



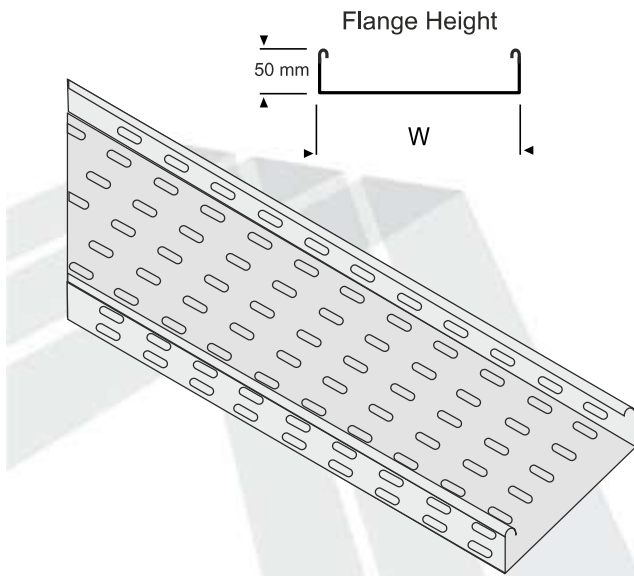
MDT



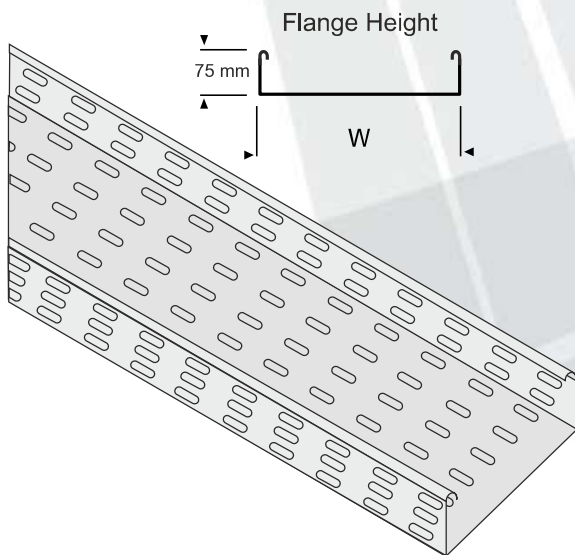
Part No.	Size	Thickness	Length
MOCTRFMD05025	50mm x 25mm	1.5 mm	2440/3000mm
MOCTRFMD10025	100mm x 25mm	1.5 mm	2440/3000mm
MOCTRFMD15025	150mm x 25mm	1.5 mm	2440/3000mm
MOCTRFMD20025	200mm x 25mm	1.5 mm	2440/3000mm
MOCTRFMD30025	300mm x 25mm	1.5 mm	2440/3000mm
MOCTRFMD45025	450mm x 25mm	1.5 mm	2440/3000mm
MOCTRFMD60025	600mm x 25mm	1.5 mm	2440/3000mm

CABLE TRAY SYSTEMS

Medium Duty

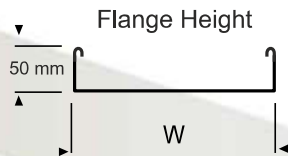
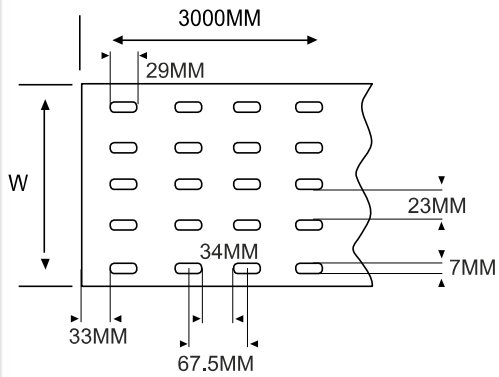


Part No.	Size	Thickness	Length
MOCTRFMD05050	50mm x 50mm	1.5 mm	2440/3000mm
MOCTRFMD10050	100mm x 50mm	1.5 mm	2440/3000mm
MOCTRFMD15050	150mm x 50mm	1.5 mm	2440/3000mm
MOCTRFMD20050	200mm x 50mm	1.5 mm	2440/3000mm
MOCTRFMD30050	300mm x 50mm	1.5 mm	2440/3000mm
MOCTRFMD45050	450mm x 50mm	1.5 mm	2440/3000mm
MOCTRFMD60050	600mm x 50mm	1.5mm	2440/3000mm
MOCTRFMD70050	700mm x 50mm	1.5mm	2440/3000mm

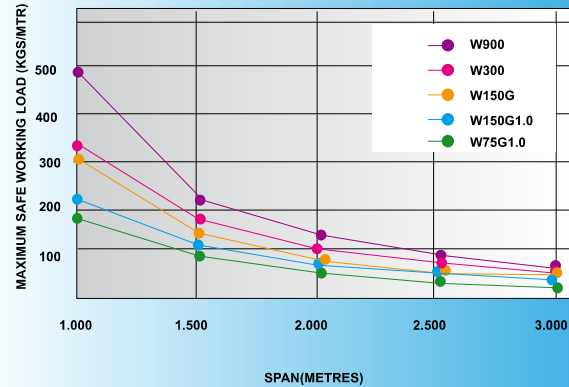


Part No.	Size	Thickness	Length
MOCTRFMD05075	50mm x 75mm	1.5 mm	2440/3000mm
MOCTRFMD10075	100mm x 75mm	1.5 mm	2440/3000mm
MOCTRFMD15075	150mm x 75mm	1.5 mm	2440/3000mm
MOCTRFMD20075	200mm x 75mm	1.5 mm	2440/3000mm
MOCTRFMD30075	300mm x 75mm	1.5 mm	2440/3000mm
MOCTRFMD45075	450mm x 75mm	1.5 mm	2440/3000mm
MOCTRFMD60075	600mm x 75mm	1.5mm	2440/3000mm
MOCTRFMD70075	700mm x 75mm	1.5mm	2440/3000mm

Cable tray



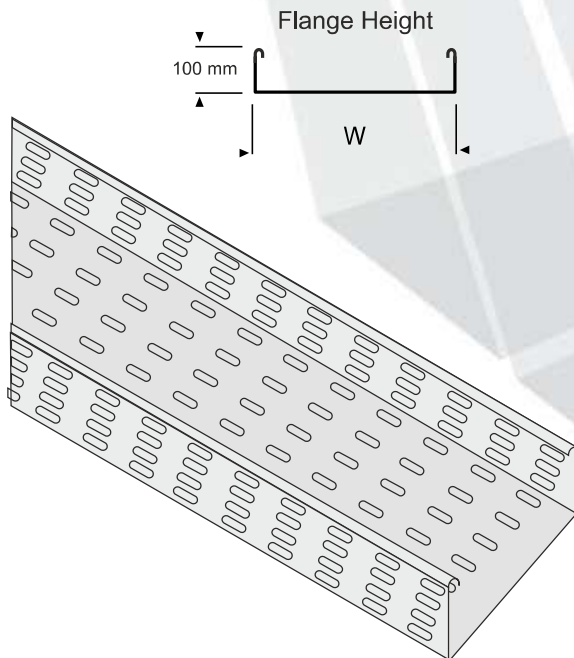
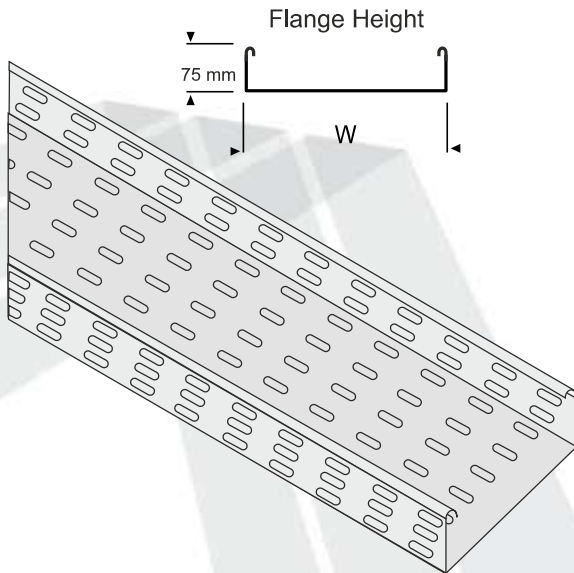
HDT



Part No.	Size	Thickness	Length
MOCTRFHD05050	50mm x 50mm	2.0 mm	2440/3000mm
MOCTRFHD10050	100mm x 50mm	2.0 mm	2440/3000mm
MOCTRFHD15050	150mm x 50mm	2.0 mm	2440/3000mm
MOCTRFHD20050	200mm x 50mm	2.0 mm	2440/3000mm
MOCTRFHD30050	300mm x 50mm	2.0 mm	2440/3000mm
MOCTRFHD45050	450mm x 50mm	2.0 mm	2440/3000mm
MOCTRFHD60050	600mm x 50mm	2.0 mm	2440/3000mm
MOCTRFHD70050	700mm x 50mm	2.0 mm	2440/3000mm
MOCTRFHD80050	800mm x 50mm	2.0 mm	2440/3000mm
MOCTRFHD90050	900mm x 50mm	2.0 mm	2440/3000mm
MOCTRFHD100050	1000mm x 50mm	2.0 mm	2440/3000mm

CABLE TRAY SYSTEMS

Heavy Duty



Part No.	Size	Thickness	Length
MOCTRFHD05075	50mm x 75mm	2.0 mm	2440/3000mm
MOCTRFHD10075	100mm x 75mm	2.0 mm	2440/3000mm
MOCTRFHD15075	150mm x 75mm	2.0 mm	2440/3000mm
MOCTRFHD20075	200mm x 75mm	2.0 mm	2440/3000mm
MOCTRFHD30075	300mm x 75mm	2.0 mm	2440/3000mm
MOCTRFHD45075	450mm x 75mm	2.0 mm	2440/3000mm
MOCTRFHD60075	600mm x 75mm	2.0 mm	2440/3000mm
MOCTRFHD70075	700mm x 75mm	2.0 mm	2440/3000mm
MOCTRFHD80075	800mm x 75mm	2.0 mm	2440/3000mm
MOCTRFHD90075	900mm x 75mm	2.0 mm	2440/3000mm
MOCTRFHD100075	1000mm x 75mm	2.0 mm	2440/3000mm

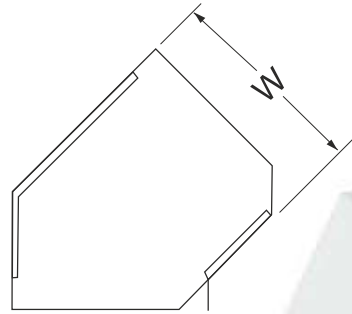
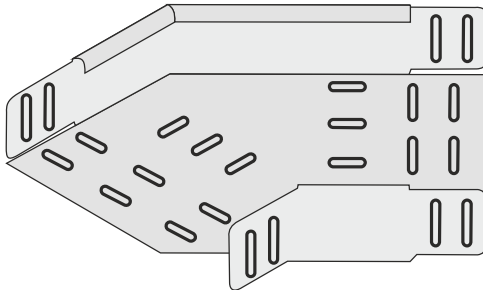
Part No.	Size	Thickness	Length
MOCTRFHD050100	50mm x 100mm	2.0 mm	2440/3000mm
MOCTRFHD100100	100mm x 100mm	2.0 mm	2440/3000mm
MOCTRFHD150100	150mm x 100mm	2.0 mm	2440/3000mm
MOCTRFHD200100	200mm x 100mm	2.0 mm	2440/3000mm
MOCTRFHD300100	300mm x 100mm	2.0 mm	2440/3000mm
MOCTRFHD450100	450mm x 100mm	2.0 mm	2440/3000mm
MOCTRFHD600100	600mm x 100mm	2.0 mm	2440/3000mm
MOCTRFHD700100	700mm x 100mm	2.0 mm	2440/3000mm
MOCTRFHD800100	800mm x 100mm	2.0 mm	2440/3000mm
MOCTRFHD900100	900mm x 100mm	2.0 mm	2440/3000mm
MOCTRFHD1000100	1000mm x 100mm	2.0 mm	2440/3000mm

Cable tray

Accessories

Cable tray

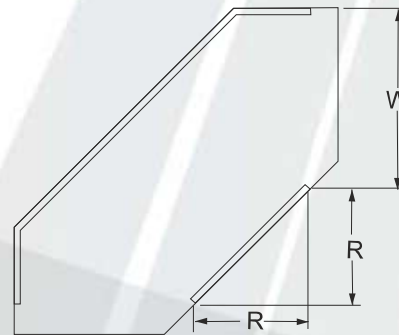
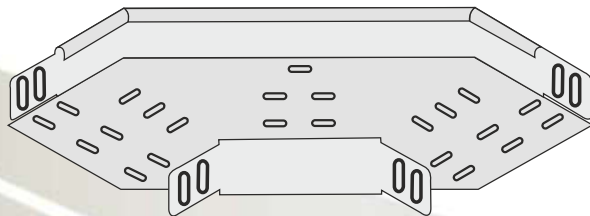
FLAT 45° BEND



Width	Radius
50	125
100	125
150	150
200	150
300	250
> 300	

Part No.	Width	Finish	Thickness
MORF45B	Width	Finish	Thickness

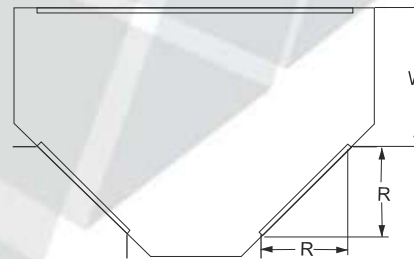
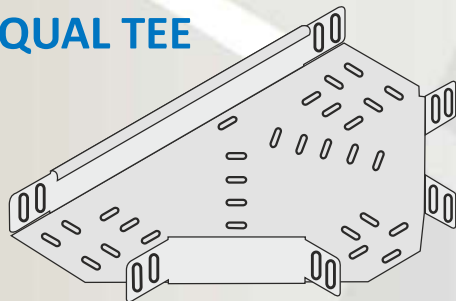
FLAT 90° BEND



Width	Radius
50	125
100	125
150	150
200	150
300	250
> 300	

Part No.	Width	Finish	Thickness
MORF90B	Width	Finish	Thickness

EQUAL TEE

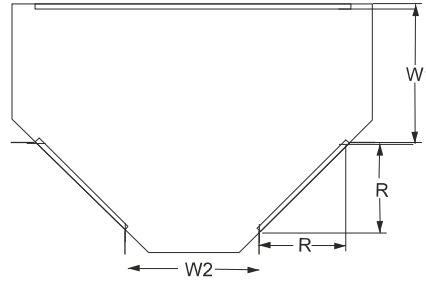
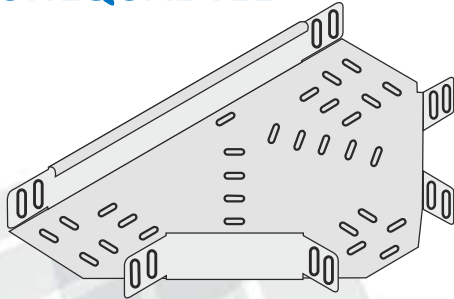


Width	Radius
50	125
100	125
150	150
200	150
300	250
> 300	

Part No.	Width	Finish	Thickness
MORFET	Width	Finish	Thickness

Accessories

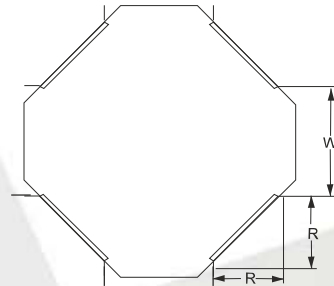
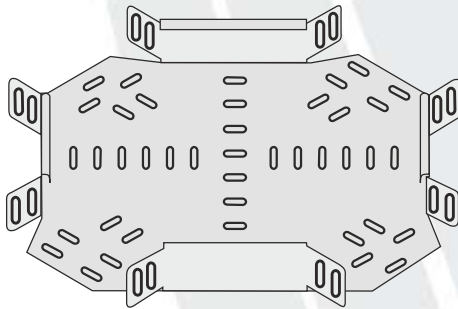
UNEQUAL TEE



Width	Radius
50	125
100	125
150	150
200	150
300	250
> 300	250

Part No.	Width	Finish	Thickness
MORFUET	W1,W2	Finish	Thickness

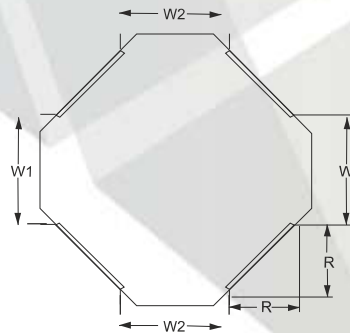
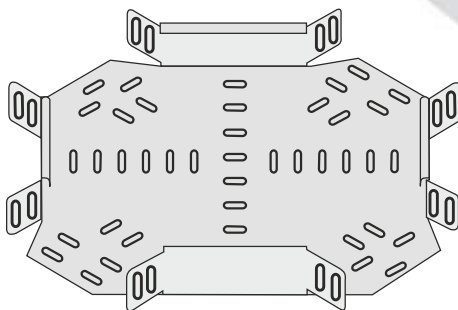
EQUAL CROSS



Width	Radius
50	125
100	125
150	150
200	150
300	250
> 300	250

Part No.	Width	Finish	Thickness
MORFEC	Width	Finish	Thickness

UNEQUAL CROSS



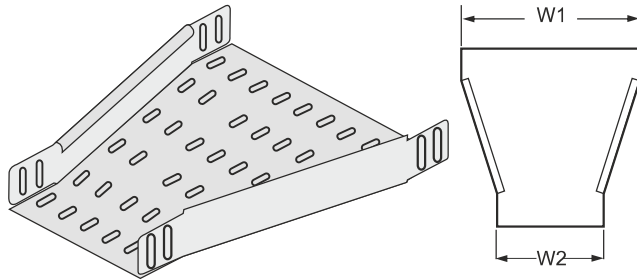
Width	Radius
50	125
100	125
150	150
200	150
300	250
> 300	250

Part No.	Width	Finish	Thickness
MORFUEC	W1, W2	Finish	Thickness

Accessories

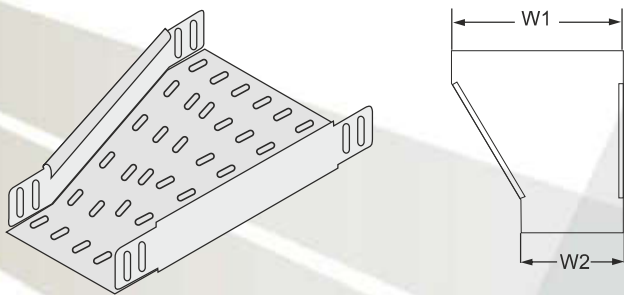
Cable tray

STRAIGHT REDUCER



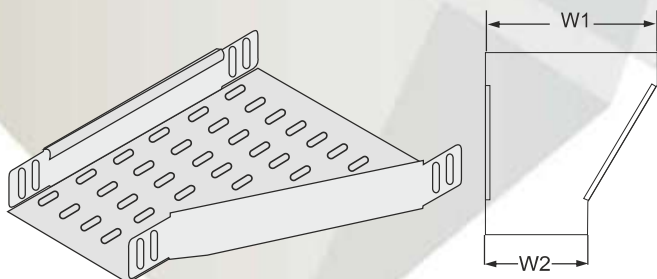
Part No.	Width	Finish	Thickness
MORFRS	W1,W2	Finish	Thickness

LEFT REDUCER



Part No.	Width	Finish	Thickness
MORFRL	W1,W2	Finish	Thickness

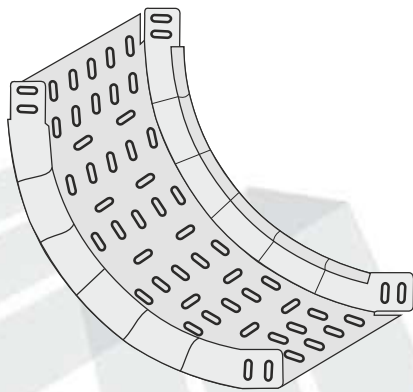
RIGHT REDUCER



Part No.	Width	Finish	Thickness
MORFRR	W1,W2	Finish	Thickness

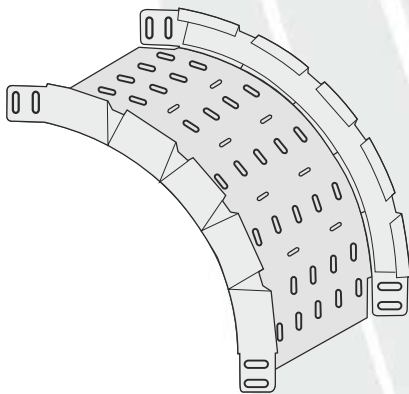
Accessories

INTERNAL RISER



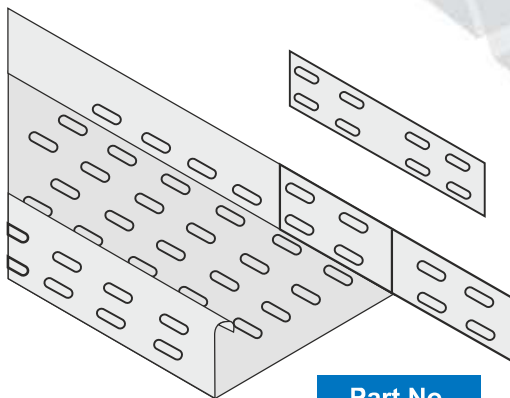
Part No.	Width	Finish	Thickness
MORFIR	Width	Finish	Thickness

EXTERNAL RISER



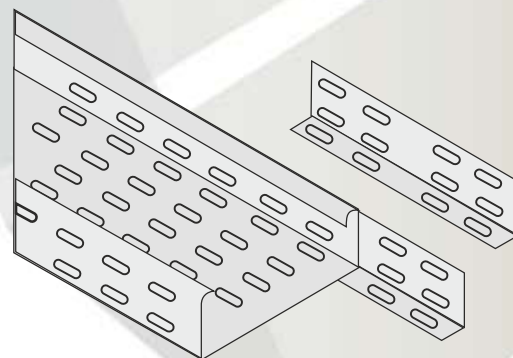
Part No.	Width	Finish	Thickness
MORFER	Width	Finish	Thickness

STRAIGHT COUPLER



Part No.
MOCTSC

ANGLE COUPLER

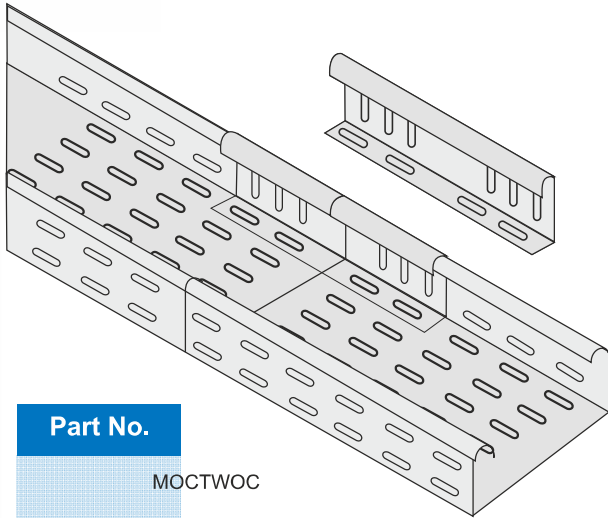


Part No.
MOCTAC

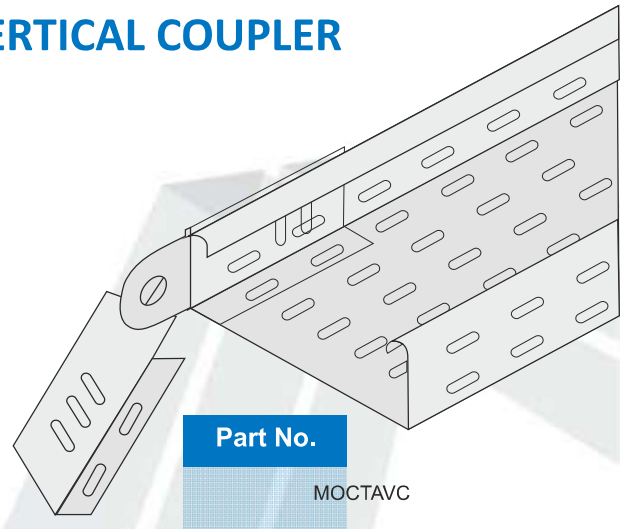
Accessories

Cable tray

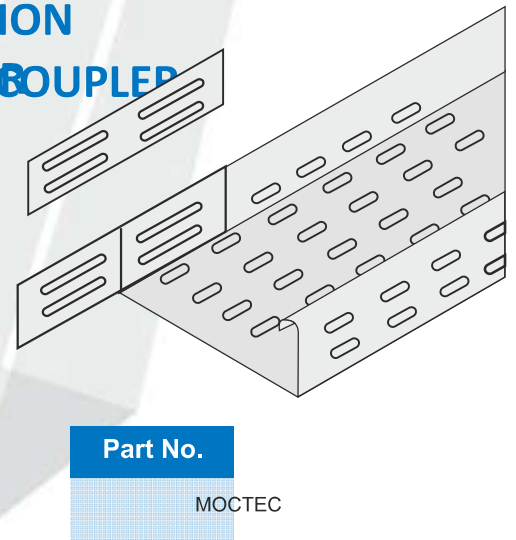
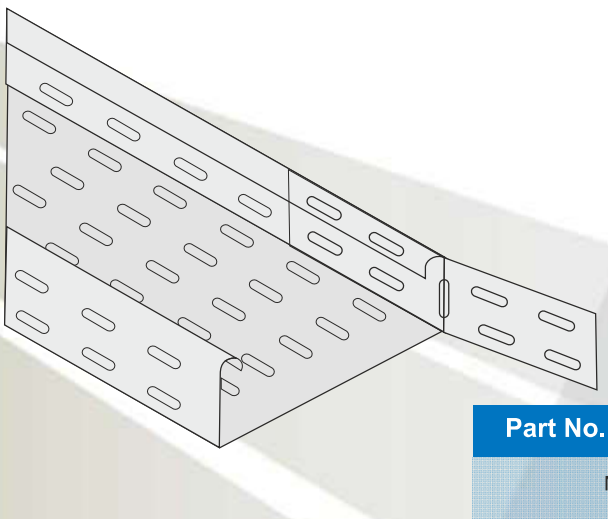
WRAP OVER COUPLER



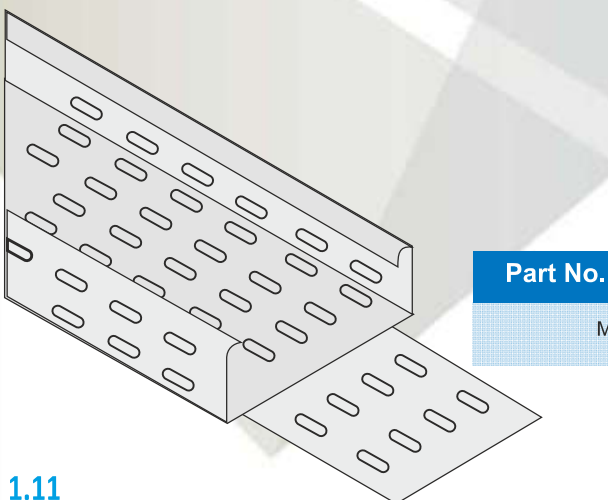
ADJUSTABLE VERTICAL COUPLER



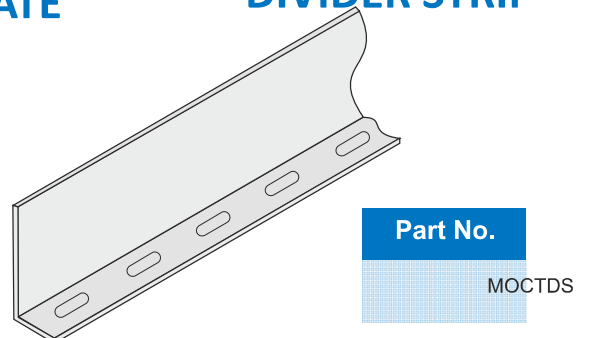
ADJUSTABLE HORIZONTAL COUPLER



FISH PLATE

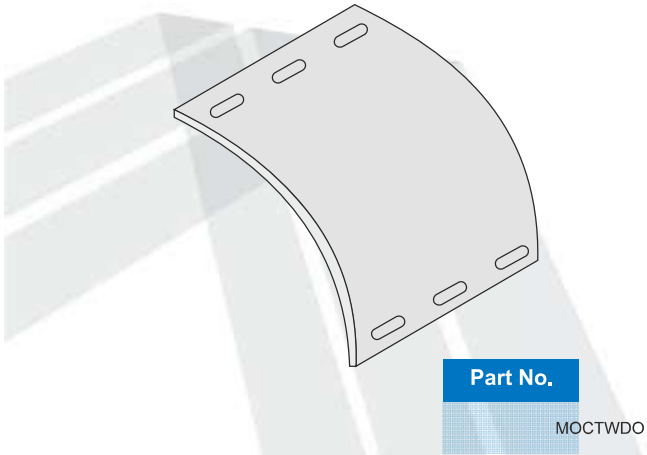


DIVIDER STRIP

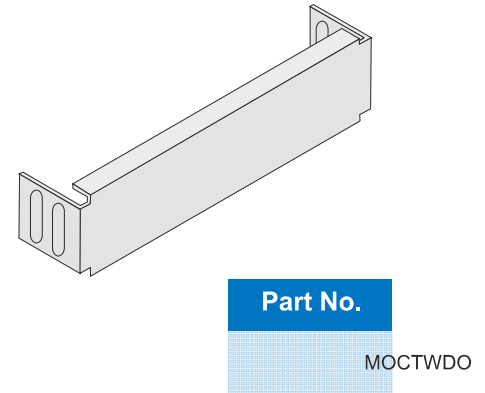


Accessories

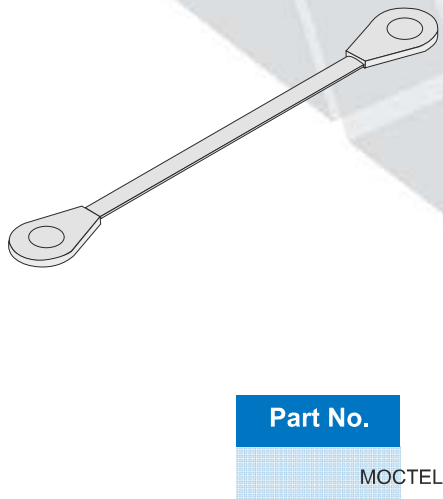
DROP OUT PLATE



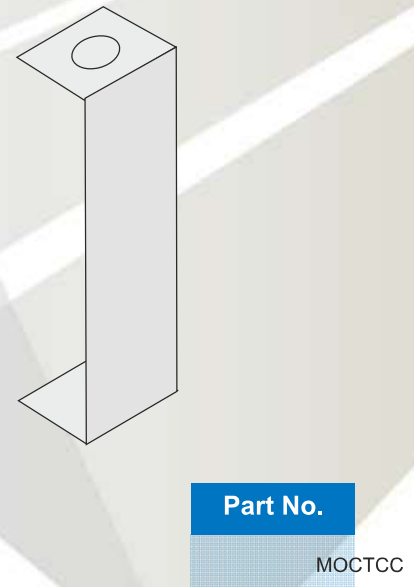
BLIND END



EARTH LINK



COVER CLAMP

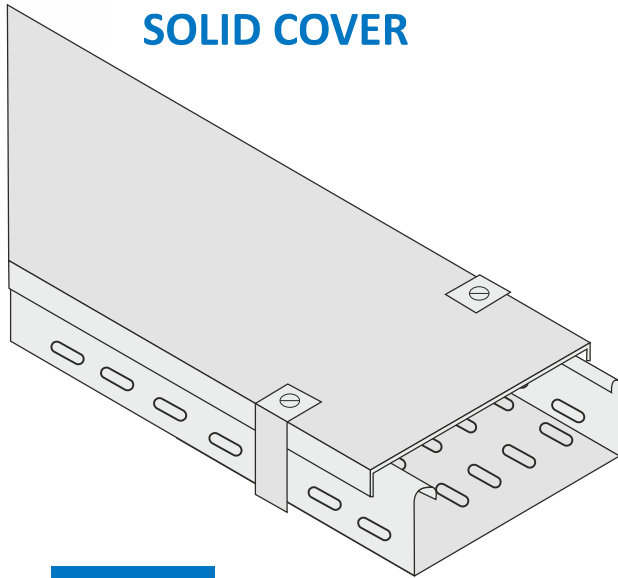


Cable tray

Accessories

Cable tray

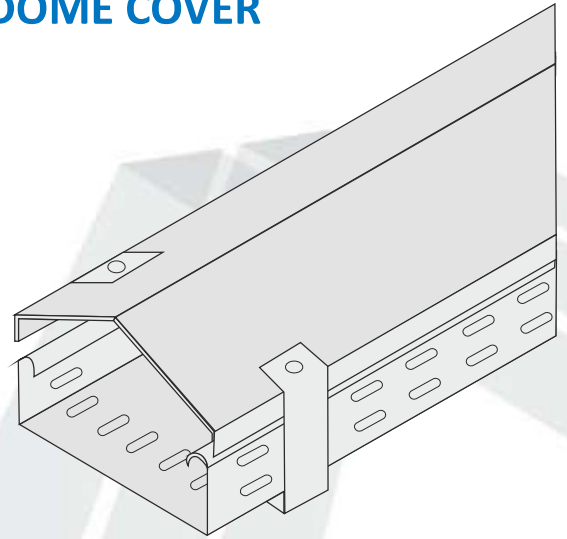
SOLID COVER



Part No.

MOCTSLC

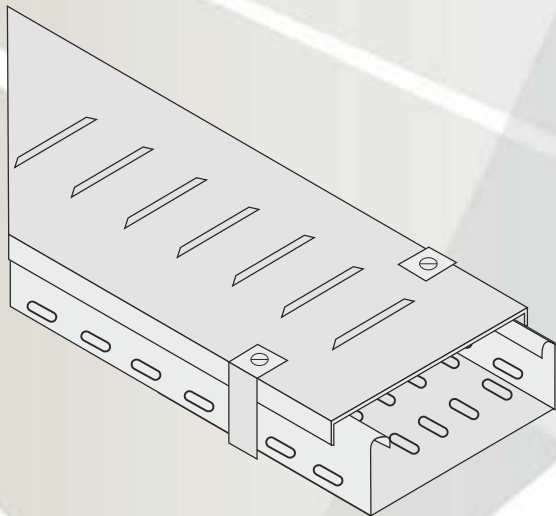
DOME COVER



Part No.

MOCTDC

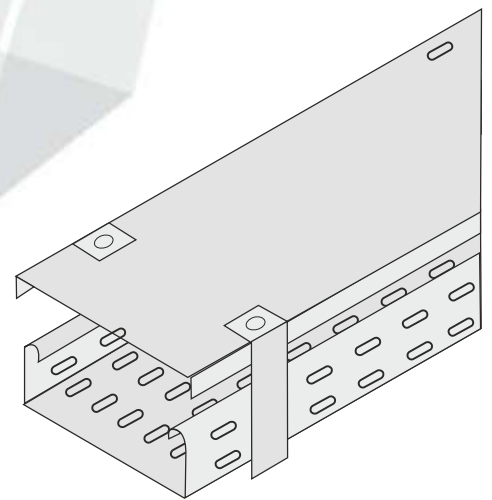
LOUVERED COVER



Part No.

MOCTLC

RAISEI



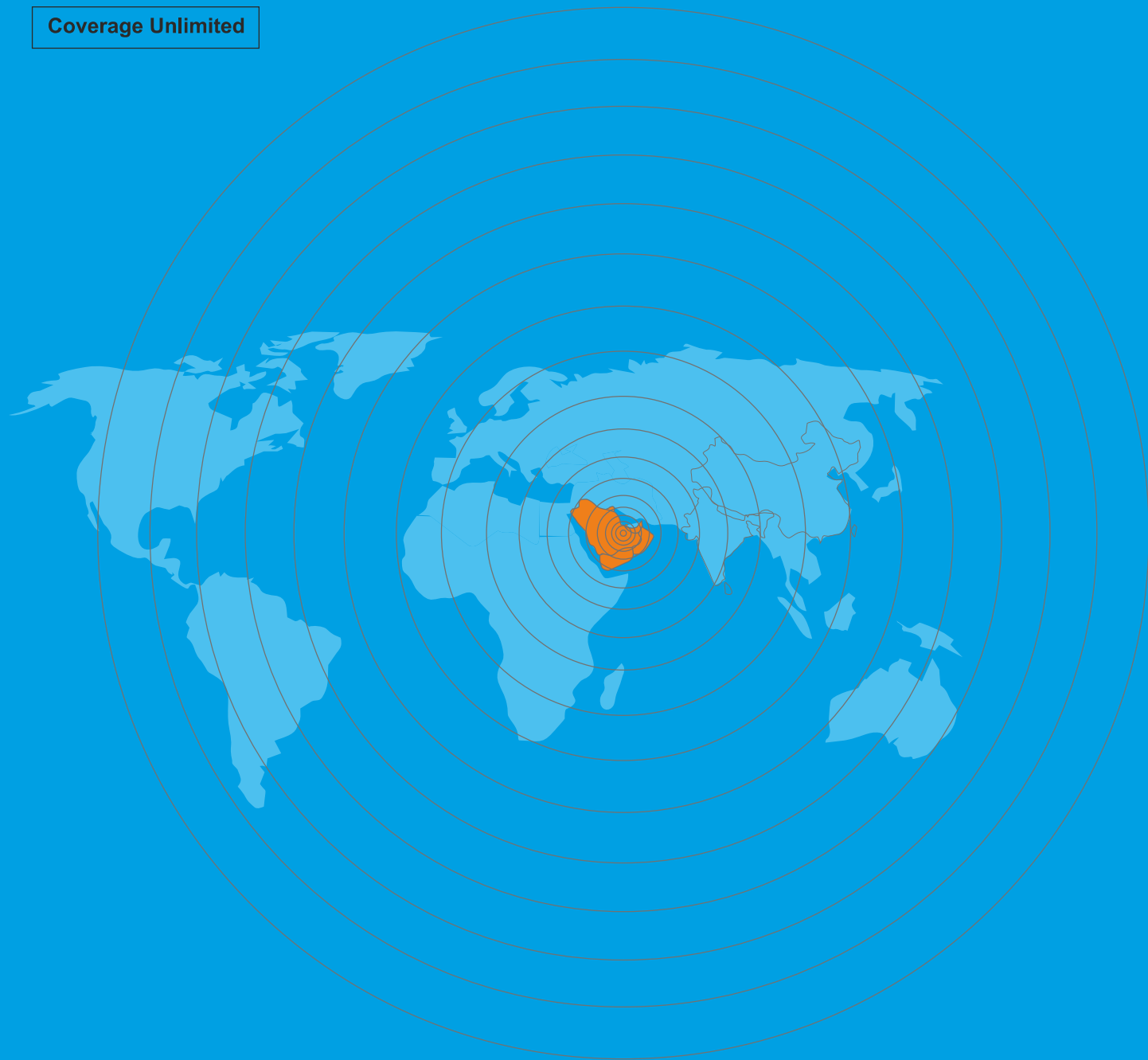
Part No.

MOCTRVC

Notes:

Notes section with horizontal dotted lines for writing.

Coverage Unlimited



Corporate Office MIDDLE EAST
Jv-One MIDDLE EAST FZE
P.O Box: 16653 Rakftz, Ras Al Khaimah UAE
Email: venture@jv-one.com

Manufacturing Plant
Jv-One Saudi Company
Second Industrial City, Dammam, Saudi Arabia
P.O Box: 3081, Al Dammam-31471 KSA
Email: sales@jv-one.com

